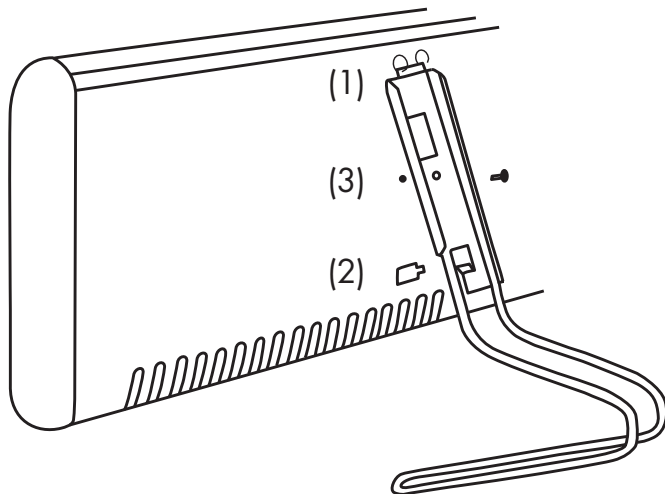


ROUNDLINE

Assembly of stand

Accessorie fitting 200 mm Roundline radiator



1. Insert the stand into the upper track (1).
2. Bend down the stand so that the pilot falls into place into the lower hole (2).
3. Force the stand upwards and screw in the locking screws (3).

NB. Do not use radiators mounted on stands near bathtubs, showers or swimming pools.

SERVICE

With further questions, please contact:
Tego Customer Service Phone +46 418 45 58 25



TEGO SYSTEM AB, Box 43, SE-261 22 Landskrona, Tel +46 (0)418 - 45 58 00, Fax +46 (0)418 - 45 58 01
info@tego.se, www.tego.se