

ROUNDLINE

Mounting Instructions

Picture A1 Switch

Picture A2 Thermostat control

Picture A3 Light emitting diode
(Roundline RF/B)

Picture B4 Safty chain

Picture B5 Spring lock

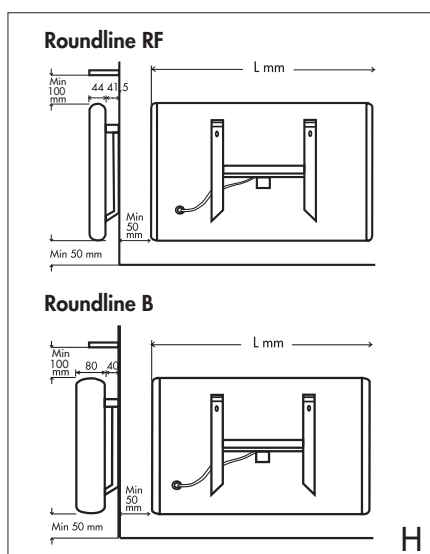
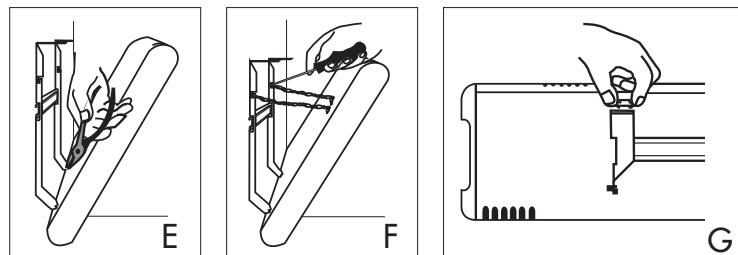
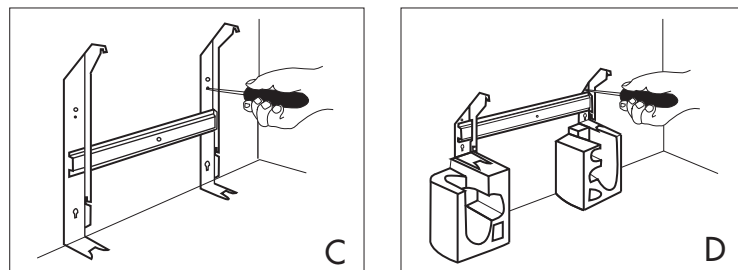
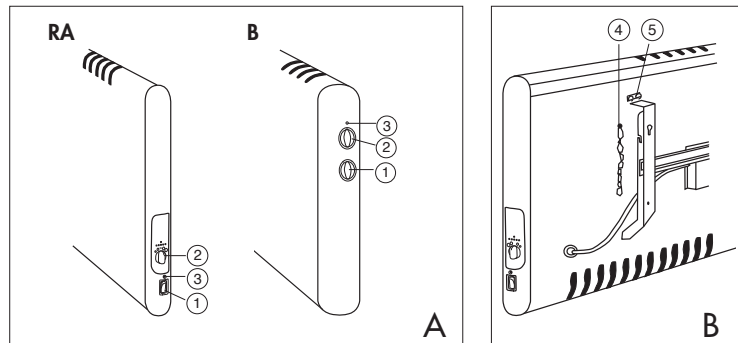
Picture C Mounting of "fixing on the wall" for a 400 mm radiator of height. Rotate the fixing on the wall and secure by screw in the marks holes.

Picture D Mounting of "fixing on the wall" for a 200 mm radiator of height. Here you split one of the package cellular plastic ends. Rotate the fixing on the wall and secure by screw in the marks holes.

Picture E Hang up the radiator on the lower handles. Push the radiator a little bit to the left. Bend the laps.

Picture F If the radiator is equipped with safty chains the chains are tread on the pins on the "fixing on the wall".

Picture G The radiator is pushed forward when pressing both locks at the same time.



Make sure the distance between the end of the radiator and the nearest wall is at least 50 mm. The distance from the radiator to a possible window-sill should be at least 100 mm (**Picture H**).

Avoid placing them directly under permanent wall-socket. Radiators installed in bath- or shower-rooms should be placed so that the person bathing cannot reach the on/off switch. Mark the fixing-points according to the figure C/D. Turn the wall-bracket round. Screw the screws into the lower holes and then mark the upper holes and screw.

NB. The wall-bracket is not centrally placed on the 300W model.

SERVICE

With further questions, please contact:
Tego Customer Service Phone +46 418 45 58 25



TEGO SYSTEM AB, Box 43, SE-261 22 Landskrona, Tel +46 (0)418 - 45 58 00, info@tego.se, www.tego.se